

# STATESMAN *Premier*



## HDTV Mount Installation Guide



# HDTV Mount

Requirements:

## HDTV at 42" or Less

- 1a. VESA Mount hole pattern of 400mm x 400mm or less
- 1b. Resolution of 1920 x 1080
- 1c. VGA Input

Less than 2" HDTV depth, and mounting Option 1, recommended if the console is to fit through a 28" doorway.

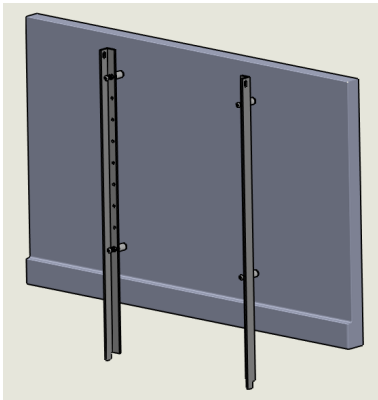
## HH3185 HDTV Mounting Kit

Included in kit:

- Qty: 1 HH3177 Monitor Mounting Rail Left
- Qty: 1 HH3178 Monitor Mounting Rail Right
- Qty: 1 HH3179 Rail Attachment Bracket
- Qty: 8 HH3234 Rubber Washer (Size: 1/4" ID x 5/8" OD)
- Qty: 5 HH3181 External Tooth Lock Washer (Size: 5/16")
- Qty: 4 HH3229V0875 Nylon Spacer (Size: 1/4" ID x 5/8" OD x 7/8" Length)
- Qty: 4 HH3443 Screw (Size: M6 x 60mm Length)
- Qty: 4 HH3470 Screw (Size: M6 x 40mm Length)
- Qty: 5 HH3049 Screw (Size: 5/16-18 x 3/4" Length, Tamper Resistant)
- Qty: 4 HH3444 Nut (Size: M6 with KEPS Lock Washer)
- Qty: 1 HH3152ADAP1 VESA Mounting Plate Adaptor & Hardware
- Qty: 1 HH3272 Hex Bit Tool (Size: 3/16" Hex, Tamper Resistant, 1/4" Drive, 6" Length)
- Qty: 1 HH440V0010 VGA Cable

**Note: Additional mounting options are possible and are dependent on the size, shape, and VESA mounting size and position on the back of the HDTV. The most common VESA mounting schemes are shown below and explained on the following pages.**

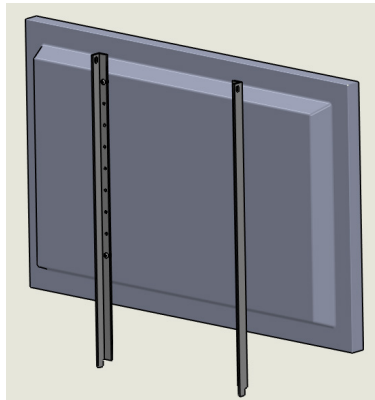
Option 1



400 x 400 or 400 x 200  
VESA mount

Mount rails with spacers to allow for 1/4" gap between top of HDTV and top of rails

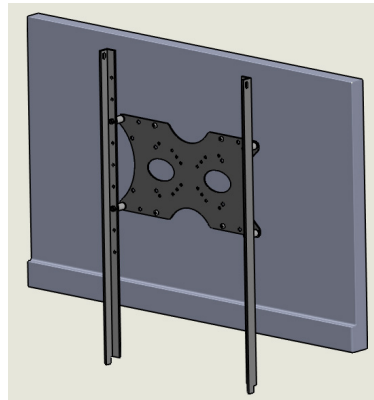
Option 2



400 x 400 or 400 x 200  
VESA mount

HDTV has extended back that allows for 1/4" gap between top of monitor and top of rails (Rails mount directly to HDTV)

Option 3



Less than 400 x 200  
VESA mount

Use adaptor plate and rails to mount HDTV

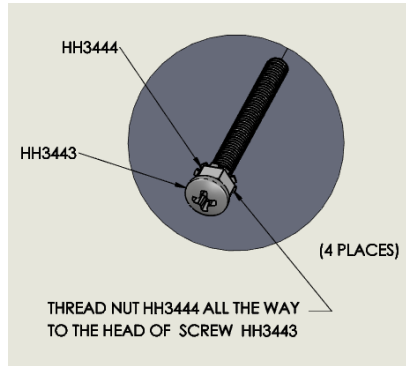
## Option 1

400 x 400 or 400 x 200 VESA mount

Mount rails with spacers allow for 1/4" gap between tops of HDTV and rails

**NOTE:** 400mm x 400mm VESA mounting shown, mounting for 400mm x 200mm VESA pattern is the same other than a 200mm vertical mounting hole pattern on rails are used instead. (Can use any set of 200mm vertically spaced holes that keep the top of the HDTV as close to the top of the rails as possible)

### Step 1 (Detail A)



Two key requirements when mounting the HDTV are the distance from the top of the HDTV to the top of the Mounting Rails and the distance from the mounting rails to the back of the HDTV (Fig 1). All mounting schemes should follow these requirements.

### Step 2 (Assemble parts to HDTV)

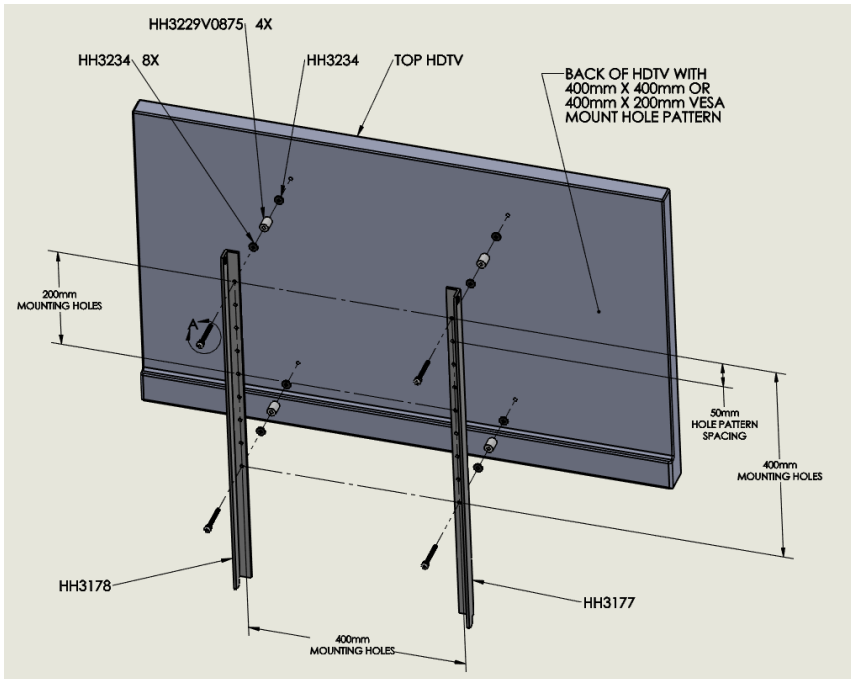
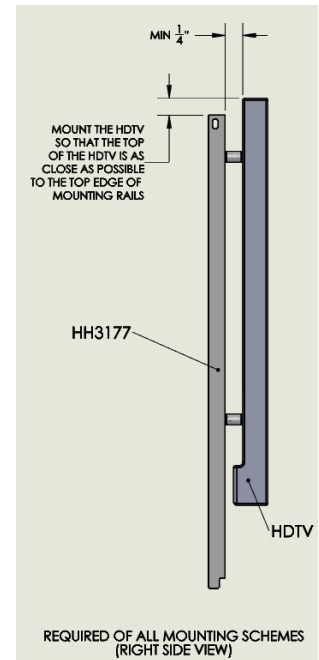
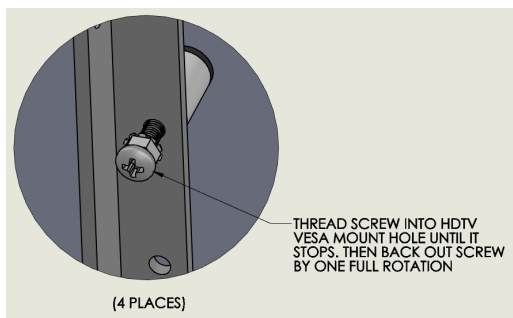


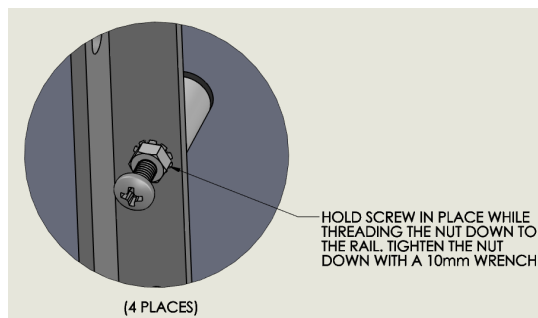
Figure 1



### Step 3



### Step 4



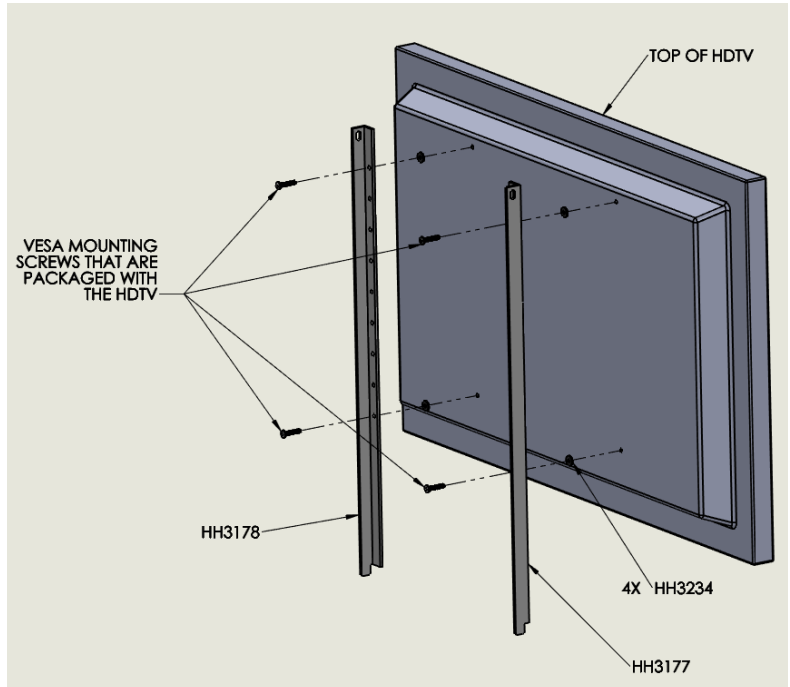
## Option 2

400 x 400 or 400 x 200 VESA mount

HDTV has extended back that allows for 1/4" minimum gap between top of monitor and top of rails (Rails will mount directly to HDTV)

**NOTE:** 400mm x 400mm VESA mounting shown, mounting for 400mm x 200mm VESA pattern is the same other than a 200mm vertical mounting hole pattern on rails are used instead. (Can use any set of 200mm vertically spaced holes that keep the top of the HDTV as close to the top of the rails as possible)

If HDTV mounting screws are not long enough then the rubber washer can be omitted.

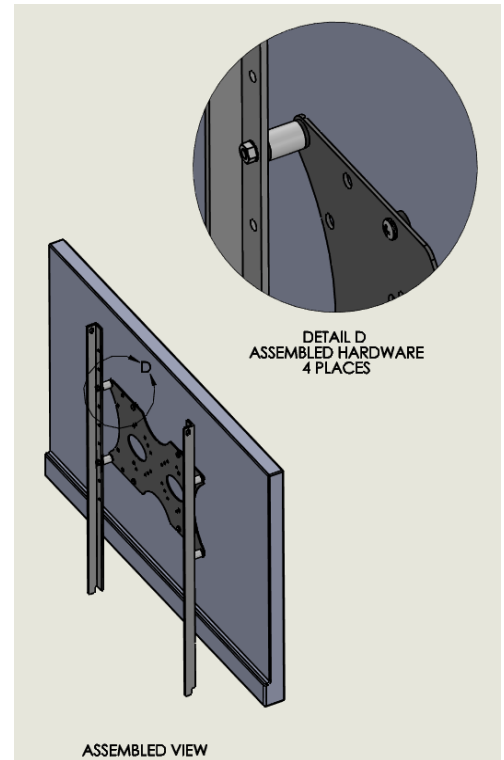
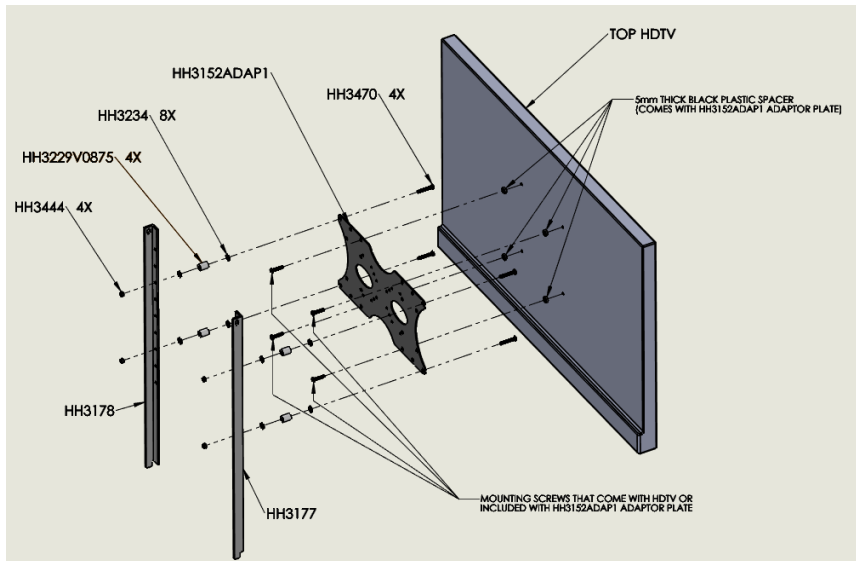


## Option 3

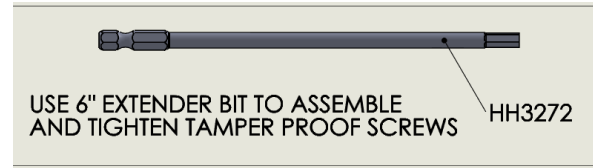
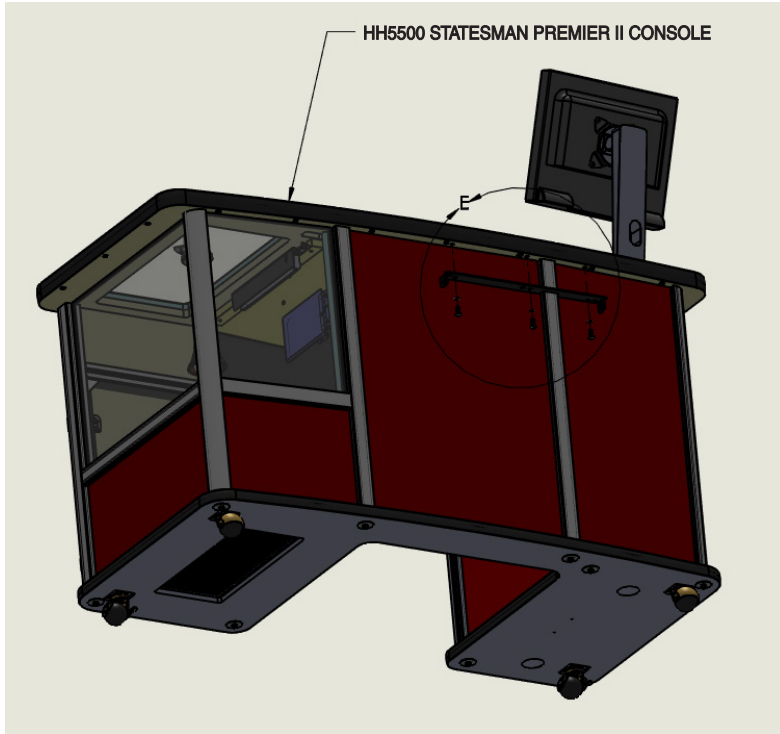
Less than 400 x 200 HDTV VESA mount

Use adaptor plate and rails to mount HDTV

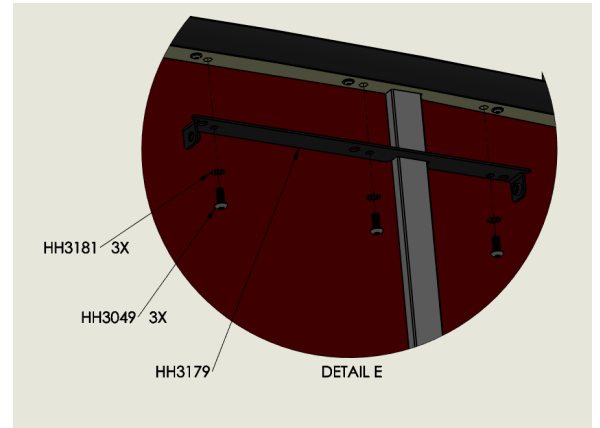
**NOTE:** Use appropriate adaptor plate holes & mounting screws based on requirements and/or specifications of the HDTV



## Assembly of Rail Mounting Bracket to Statesman Premier Console II



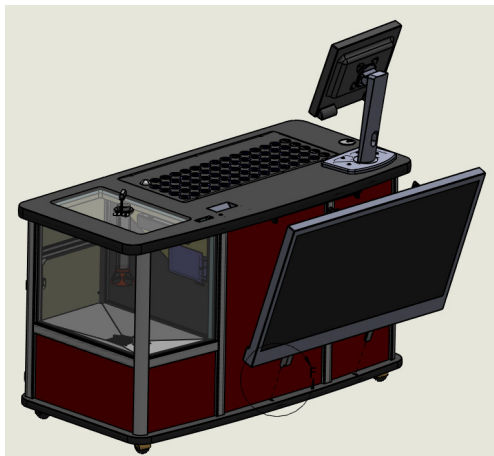
Close-up Detail E area of Statesman Premier Console II



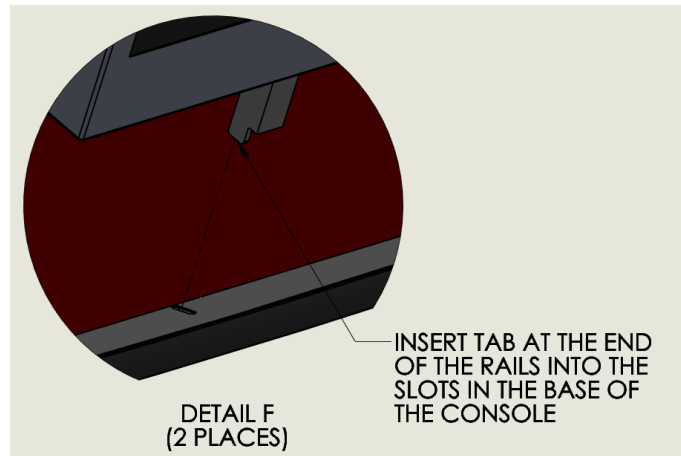
## Assembly of HDTV to Statesman Premier Console II

**NOTE:** Prior to attaching the HDTV to the Console; Connect the power cord (unless permanently attached) and the HH1440V0010 VGA Cable to the HDTV (See instructions that are included with the HDTV for appropriate connection points for power and VGA)

Step 1



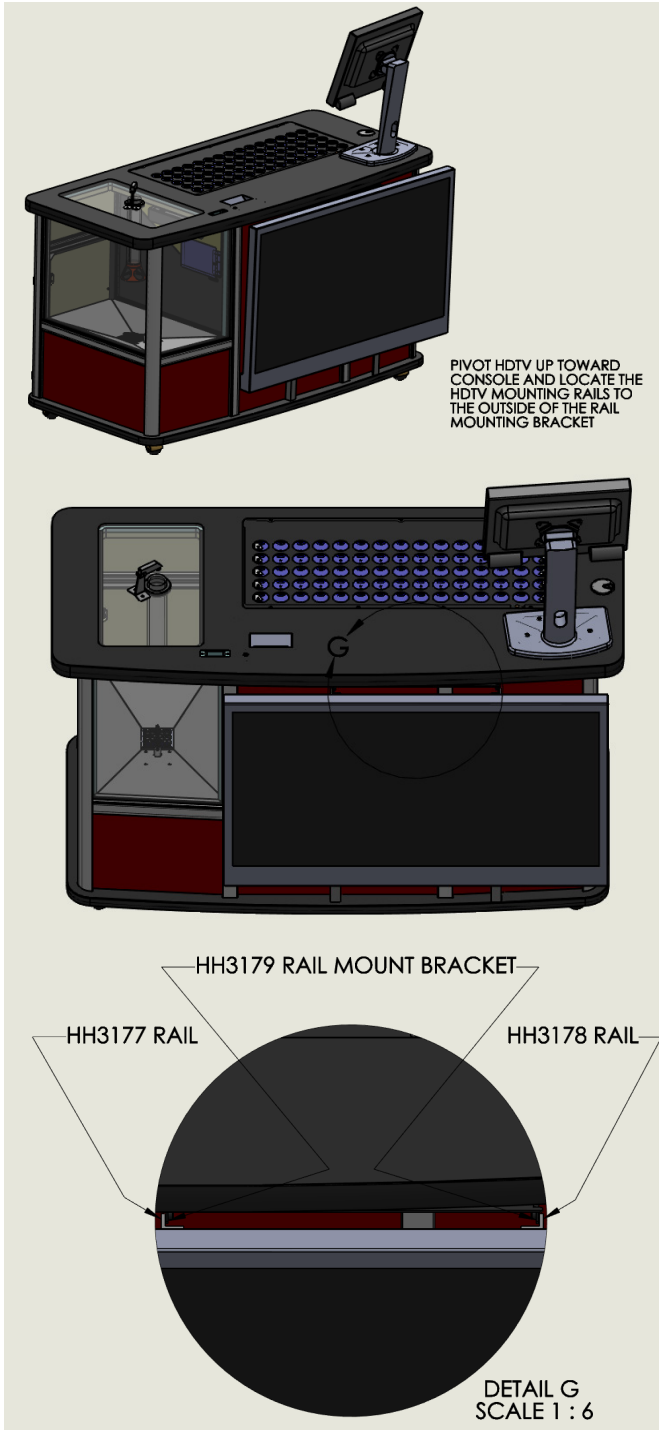
Step 1 (closeup)





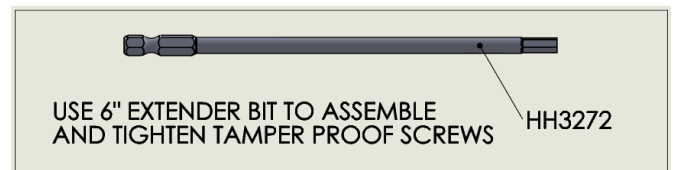
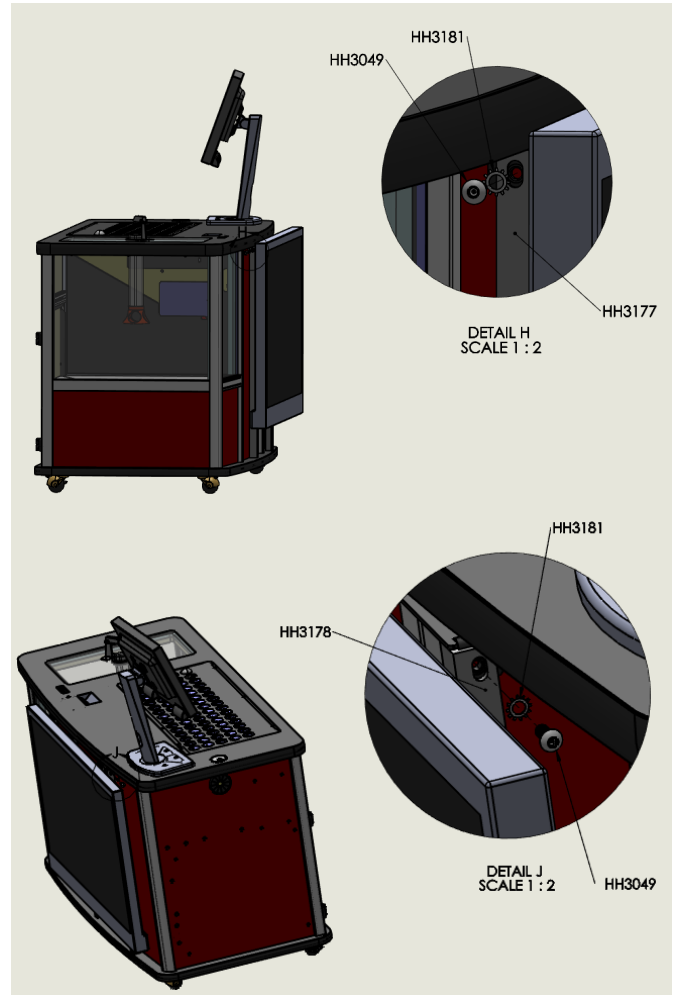
## Assembly of HDTV to Statesman Premier Console II (cont'd)

### Step 2



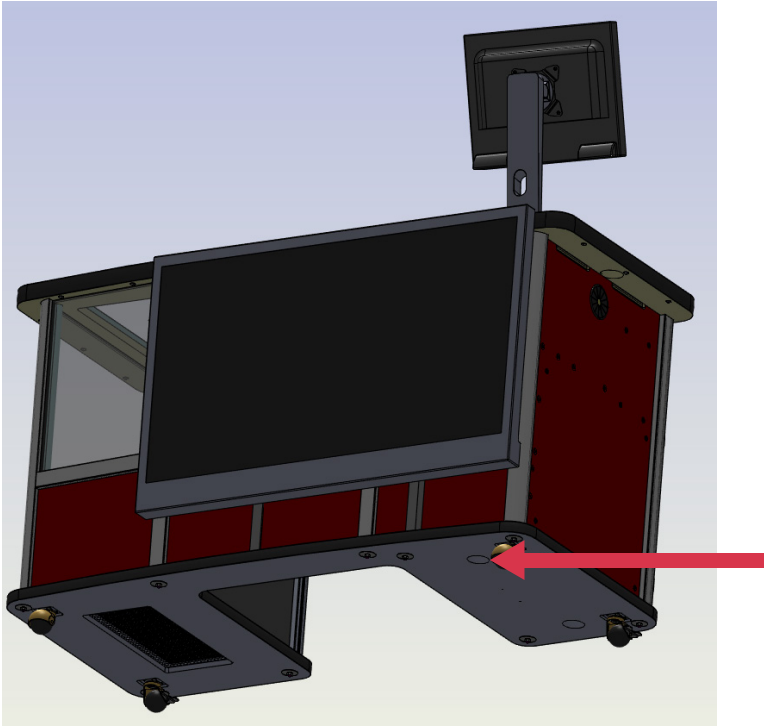
### Step 3

Insert screws (2 places) to assemble the rails mounted to the HDTV to the bracket attached to the Console

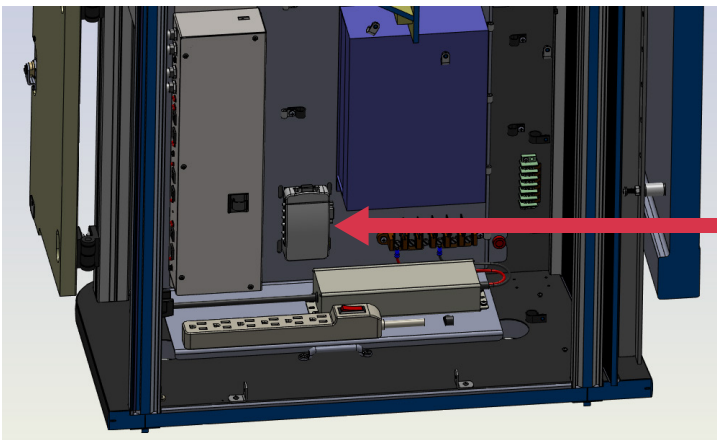


## HDTV Power Cord and VGA Cable Routing and Connections

Run cords under the console and up through front hole into the electronics compartment.



(View into the electronics compartment shown for clarity. Some components not shown)



**Add VGA cable to  
video converter  
connector**



[www.arrowinternational.com](http://www.arrowinternational.com)

9900 Clinton Road Cleveland, Ohio 44144

Arrow International, Inc. has made every effort to ensure that this user's manual is accurate. Information in this user's manual is subject to change without notice. Please visit the Arrow International website for the latest user manual updates.  
<https://equipment.arrowinternational.com/support#manuals>

**Product Support Center**  
**1-800-277-6214**

Part #: HH5500-MNL-HDTV Mount  
Revision: October 2023